

# Intrinsically Safe Call Point Range



## Resistor & Clean Contact Model (Red Versions)



### > Product Benefits

- Unique 'Plug & Play' installation concept
- Total 'Flex-Ability' in the choice of operating element
- Anti-Tamper facility
- Enhanced aesthetics
- Fully approved to the latest standards
- Backward compatibility



 II 1 G EEx ia IIC T4  
Sira 04ATEX2350X  0518

### Product Overview

An Intrinsically Safe version of our MCP1A indoor call point is available for installation in hazardous areas. These call points are manufactured to protect against other hazards, as defined in paragraph 1.2.7 of annex II of the ATEX Directive 94/9/EC. They are intended for indoor use within Intrinsically Safe (I.S.) systems using suitable zener barriers (supplied by others).

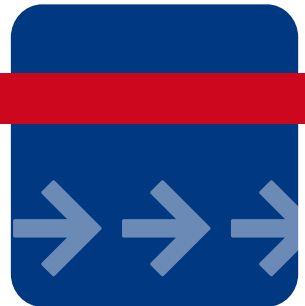
Installation efficiency, flexibility and full compliance with the latest standards are at the heart of the new Indoor Call Point range.

Installation time and ultimately cost, are of paramount importance to any fire or security installer. The MCP range directly reflects this need by providing a unique 'plug and play' concept designed specifically to reduce installation time. All new MCP products utilise a special terminal block, where all initial installation cabling is terminated. This terminal block is then simply connected to the back of the MCP. Simple, but effective with no re-termination required and no time wasted.

Through new standards and legislation, both break glass and resettable operating elements can now be used within a manual call point. To provide you with the greatest 'flex-ability', the new MCP range can be configured as either a break glass or resettable unit by simply changing from one element to another. No other additional parts or alternative products need to be ordered.

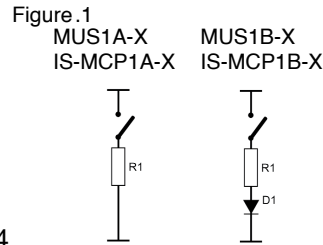
All MCP Indoor Call Point products also help preserve the integrity of the overall system as illegal removal of the product lid will result in the call point operating and the system going in to alarm.

The MCP1A product version is supplied with both a resistor and normally open clean contact electrical options. These options are easily utilised by simply connecting the terminal block to the required connection in the back of the MCP1 product. A variety of resistor versions are available, with both 470Ω and 680Ω offered as standard. However, other resistor types can be provided upon request. The MCP1B product version allows for connection to 'Sawire' systems.



## Electrical Specification

Connection Details:	See Figure . 1
Cable Termination:	0.5-2.5mm <sup>2</sup>
Maximum Voltage:	30VDC
Maximum current:	500mA
Maximum Power:	1W
Certification Details:	⊕ II 1 G EExia IIC T4

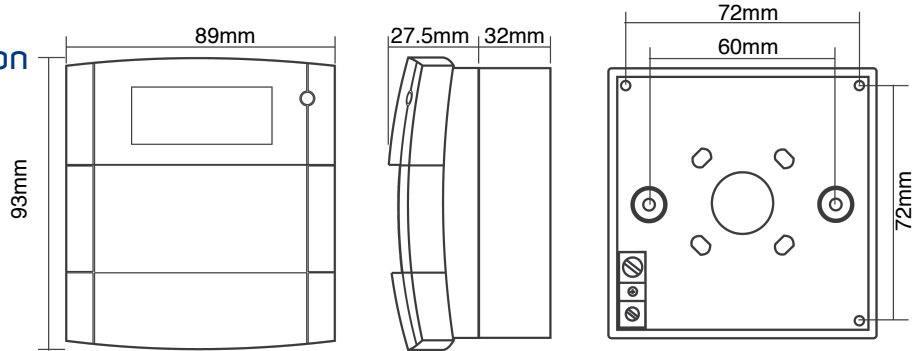


## Environmental Specification

Humidity:	0-95% non-condensing
Ambient Temperature Range:	-30°C to +70°C
Ingress Protection (IP) Rating:	IP24D

## Mechanical Specification

Material:	PC/ABS
Weight:	110g Flush 160g Surface
Colour:	Red, Ral 3001



## Ordering Information

Model	Electrical Configuration	Mounting	Operating Element	Markings
MCP1A-R470FG-01IS	470Ω Resistor & N/O 30VDC	Flush	Glass	EN54-11
MCP1A-R470FF-01IS	470Ω Resistor & N/O 30VDC	Flush	Flexi	EN54-11
MCP1A-R470SG-01IS	470Ω Resistor & N/O 30VDC	Surface	Glass	EN54-11
MCP1A-R470SF-01IS	470Ω Resistor & N/O 30VDC	FSurface	Flexi	EN54-11
MCP1A-R680FG-01IS	680Ω Resistor & N/O 30VDC	Flush	Glass	EN54-11
MCP1A-R680FF-01IS	680Ω Resistor & N/O 30VDC	Flush	Flexi	EN54-11
MCP1A-R680SG-01IS	680Ω Resistor & N/O 30VDC	Surface	Glass	EN54-11
MCP1A-R680SF-01IS	680Ω Resistor & N/O 30VDC	Surface	Flexi	EN54-11
MCP1B-R470FG-01IS	470Ω Resistor & N/O 30VDC	Flush	Glass	EN54-11
MCP1B-R470FF-01IS	470Ω Resistor & N/O 30VDC	Flush	Flexi	EN54-11
MCP1B-R470SG-01IS	470Ω Resistor & N/O 30VDC	Surface	Glass	EN54-11
MCP1B-R470SF-01IS	470Ω Resistor & N/O 30VDC	Surface	Flexi	EN54-11
MCP1B-R680FG-01IS	680Ω Resistor & N/O 30VDC	Flush	Glass	EN54-11
MCP1B-R680FF-01IS	680Ω Resistor & N/O 30VDC	Flush	Flexi	EN54-11
MCP1B-R680SG-01IS	680Ω Resistor & N/O 30VDC	Surface	Glass	EN54-11
MCP1B-R680SF-01IS	680Ω Resistor & N/O 30VDC	Surface	Flexi	EN54-11

N/O = Normally Open Contact  
SAV = Savwire system

### Accessories

Code	Description
SC070	Pack Of Ten Test Keys
KG1 x5	Pack Of Five Glass Elements
PS210	Flexible Operating Element
PS200	Plain Hinged Cover
SC071	Pack Of Ten Terminal Blocks

➤ KAC Alarm Company Limited  
15 - 19 Trescott Road,  
Smallwood, Redditch,  
Worcestershire B98 7AH.  
England.  
Telephone: +44 (0) 1527 406655  
Fax: +44 (0) 1527 406677  
e-mail: marketing@kac.co.uk

**KAC**